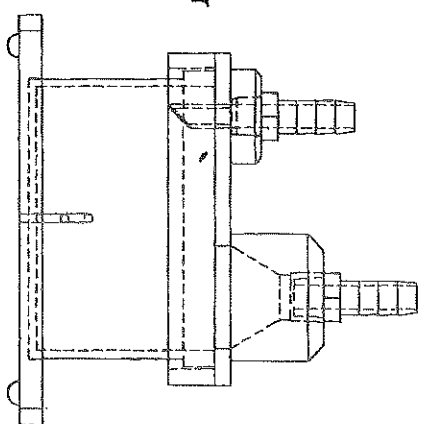
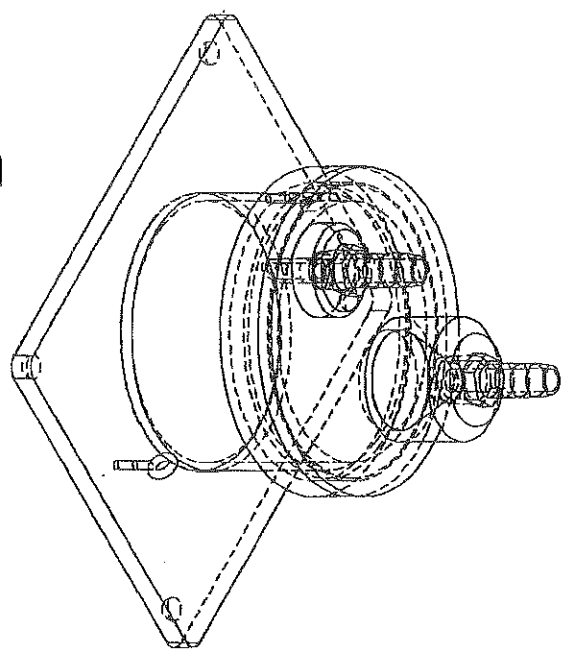
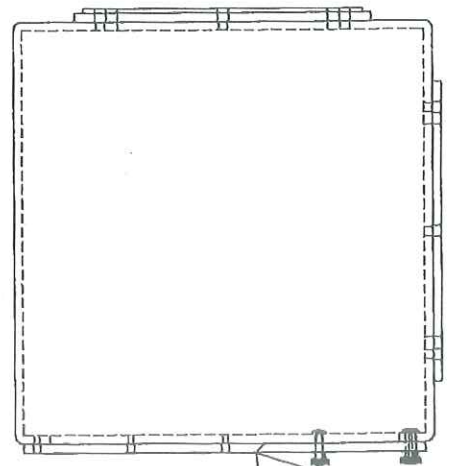
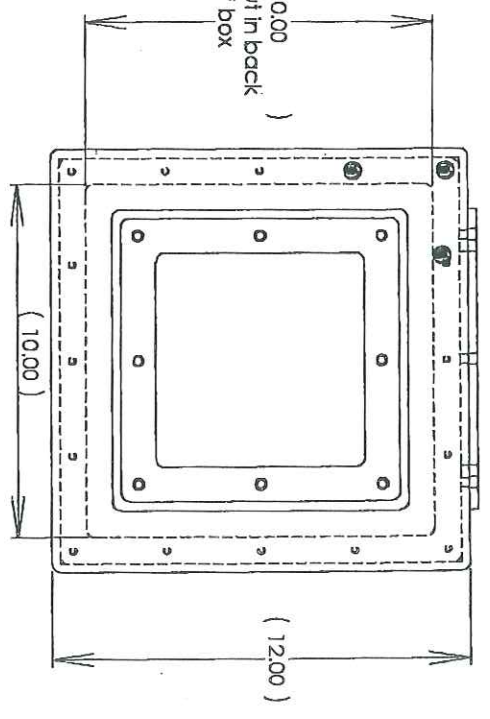


Customers Container



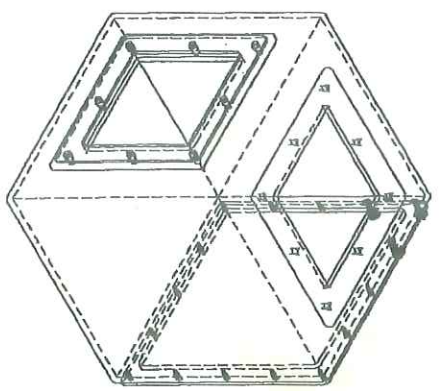
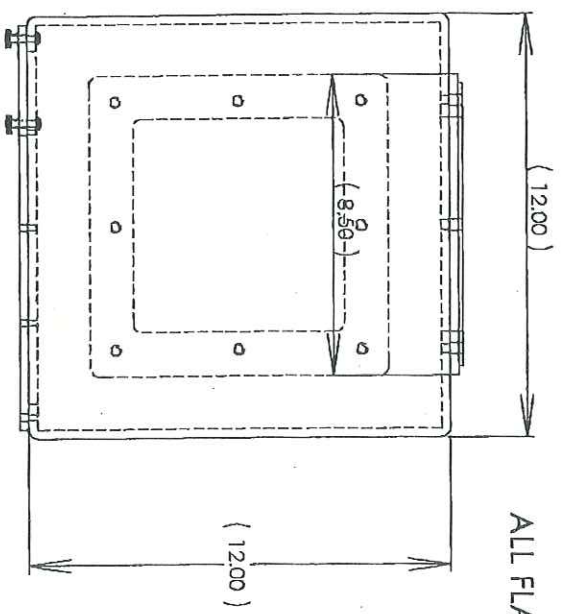
DATE: 9/25/03		MATERIALS		USUHS Dept of Preventative Medical & Biomech	
DRAWN BY: DP		1/4", 3/8", 1/2" Clear Acrylic		Precision Plastics Inc.	
TOLERANCES:		3/8" od x 1/4" id Polycarb tube		5005 Herzel Place	
PRINTER:		1/4" Bungee Cord		Beltsville, MD, 20705	
		3/8 x 3/8 NPT / barbed fitting		Ph: 301-937-1317 Fax: 301-937-4184	
		1/2 x 1/2 NPT / barbed fitting		Title: Large Vacuum Apparatus	
		8-32 Eyebolts		Scale: 1/8" = 1"	
		Bumpers		Sheet 1 of 1	

(10.00)
Cut out in back
of box



Removable panel
#10-24 Screws stay
in place. Brass thumb
screws are removable.

ALL FLANGES REMOVABLE



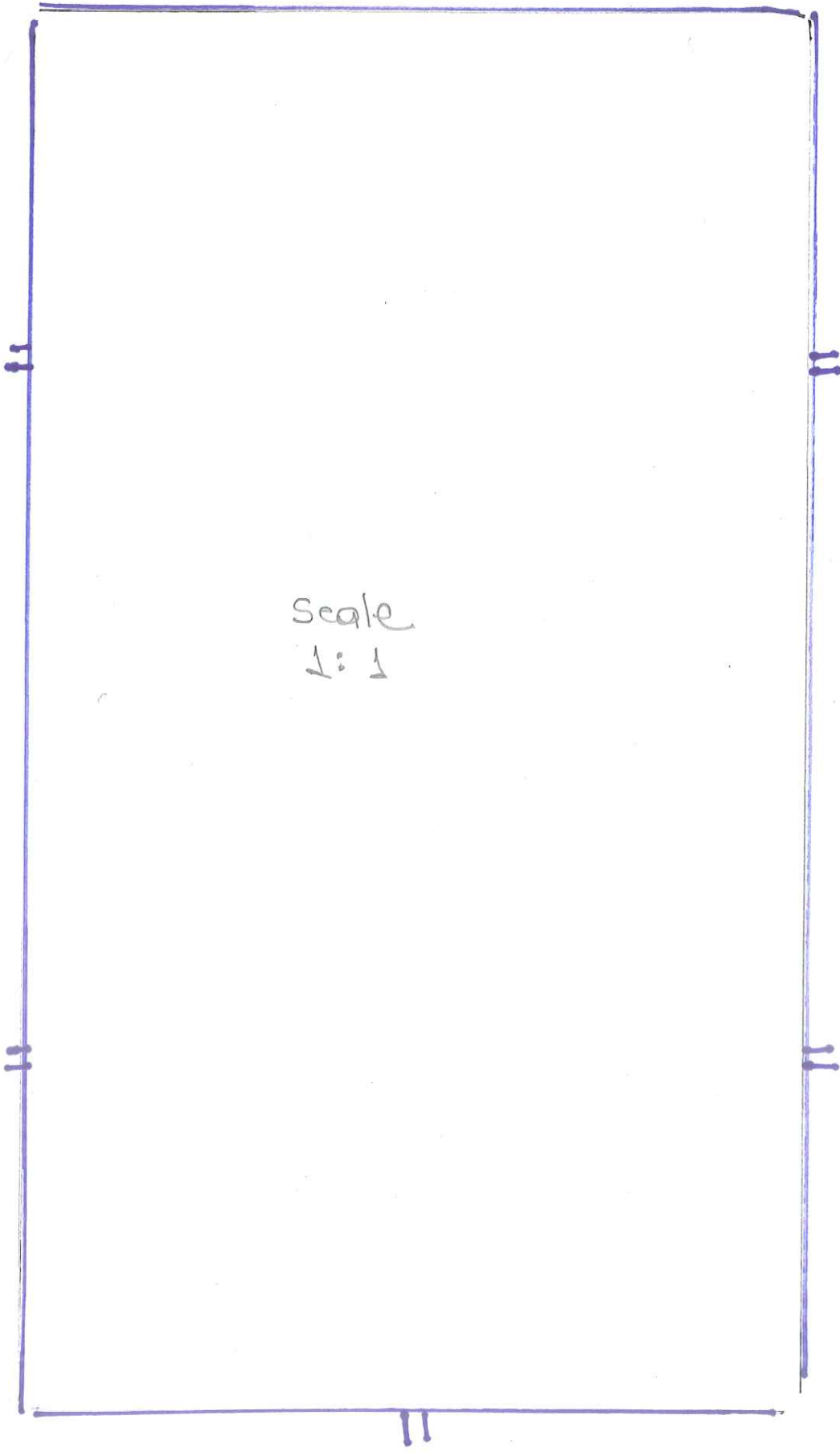
10" = \$385/cage
(4 cages) ✓

PROPRIETARY AND CONFIDENTIAL
THE INFORMATION CONTAINED IN THIS
DRAWING IS THE SOLE PROPERTY OF
PRECISION PLASTICS INC. ANY
REPRODUCTION IN PART OR AS A WHOLE
WITHOUT THE WRITTEN PERMISSION OF
PRECISION PLASTICS INC. IS PROHIBITED.

DATE:	1/29/04	MATERIALS	1/4" Clear Polycarbonate	Walter Reed Army Research Precision Plastics Inc. 5005 Herzel Place Beltsville, MD. 20705 Ph: 301-937-1317 Fax: 301-937-4184
DRAWN BY:	DP	3/16" White Polycarbonate Floor	1/8" Clear Polycarbonate	
TOLERANCES:	DP	1/4" SS Washers	1/4" SS Hex Nuts	
FINISH:	smooth edge	1/4-20 SS Wing Nuts	10-24 x 7/8" SS PH MS 10-24 Brass Thumb Nut 1/4-20 SS Machine Screws	
SCALE:	1:1	WEIGHT:		SHEET 1 OF 1

Half a quarter thick

PINS



Scale

1:1